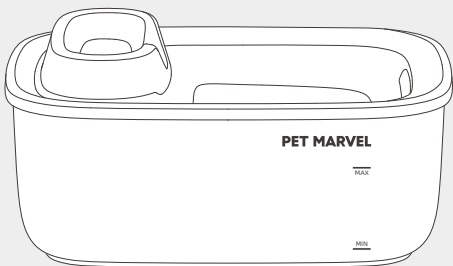




**PET MARVEL®**



**Auto Pet Water Fountain [F1]**

TECHNOLOGY  
CARES FOR PET  
HEALTH

# 1 Information For Users

Dear customer, thanks for purchasing Pet Marvel Automatic Pet Fountain (Gray Whale F1). We are committed to creating a better life for humans and pets. Before using this item, please read the all instructions. Thanks for your support and understanding. Have a nice day!

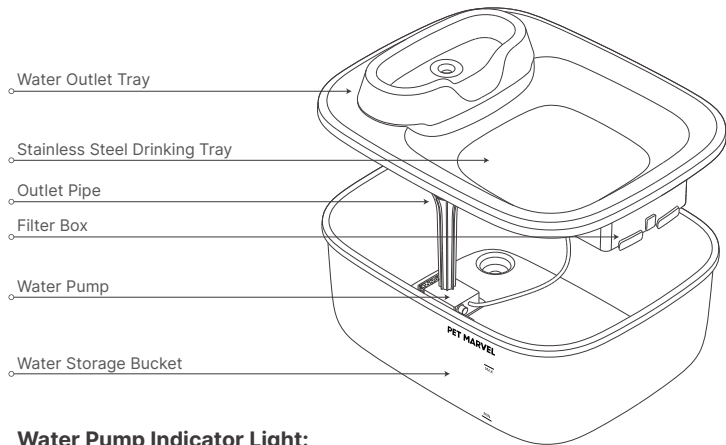
## **WARNING:**

- Please keep your pet away from the wire to avoid your pet biting the wire, which may cause electricity leakage.
- Do not disassemble, modify, or repair the equipment by your self, otherwise, it will be deemed a waiver of all warranty and after-sales service rights.
- For indoor use only. Do not expose this product to sunlight.

## **Caution:**

- Before using, please rinse the filter with clean water and then soak 2mins to remove the floating carbon generated during transportation. Do not use overheated water.
- In order to achieve better water filtration. It is recommended to replace the filter and water pump sponge every 4 weeks and clean the water storage bucket every 3 days. Please check and clean the water pump regularly.
- Do not exceed the MAX water line.

## 2 Product Information



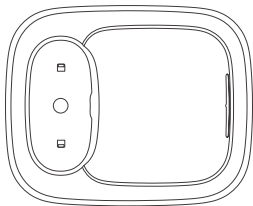
### Water Pump Indicator Light:

Orange Light on: Water Shortage

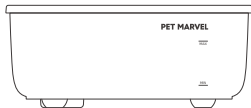
### 3 Packing List

**Notice:**

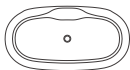
After opening the product packaging, please ensure the integrity of the product and compare with the illustration below to confirm the completeness of accessories. Due to product updates and iterations, some accessories may be adjusted; please refer to the actual product for accuracy.



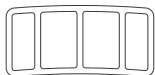
Stainless Steel Drinking Tray



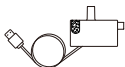
Water Storage Bucket



Water Outlet Tray



Filter



Water Pump



User Manual



Outlet Pipe

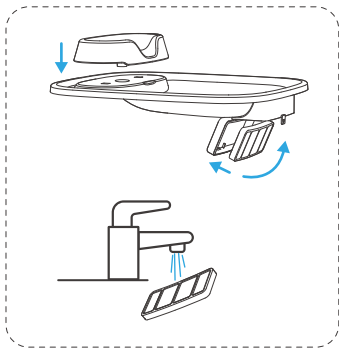


Cleaning Brush

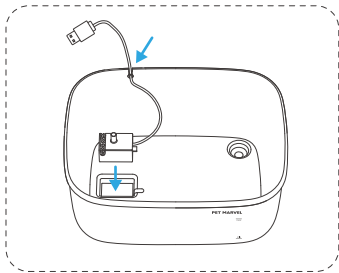
## 4 Instruction

1. According to the diagram, install the water outlet tray and filter to complete the drinking tray assembly.

(① Before use, the filter should be rinsed with clean water and soaked for 2mins to remove the floating carbon during transportation. ② In order to achieve better water filtration, it is recommended to replace the filter every 4 weeks.)



2. Insert the USB cable into the line groove on the edge of the water storage bucket. Then install the water pump into the diagram position.

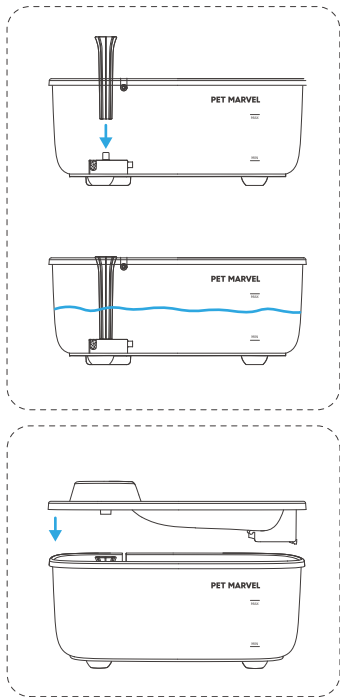


3. According to the diagram, connect the outlet pipe and water pump. Then pour in clean drinking water (Caution: Do not exceed the MAX water line.)

**Caution:**

Do not exceed the MAX water line.

4. Finally, install the drinking tray on the water storage bucket. Plug-in power and start using. When the water pump indicator light turns orange, it means water shortage. Please add drinking water in time.



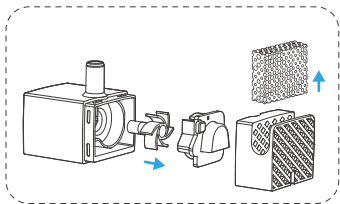
## 5 Maintenance

Except for the water pump USB cable socket, the rest of the parts is washable. It is recommended to replace the filter and water pump sponge every 4 weeks and clean the water storage bucket and drinking tray parts every 3 days. Please check and clean the water pump regularly.

### How to Clean the Water Pump:

(Please turn off the power supply before cleaning the water pump)

Remove the pump cover, impeller cover, and impeller according to the diagram. Use the included cleaning brush to scrub under running water.



## 6 Product Specification

Product Name: Auto Pet Water Fountain [F1]  
Product Model: NW04S  
Main Material: ABS,SUS304  
Product Size: 373\*303\*180mm

Capacity: 7L  
N.W.: ≈1.4kg  
Input: 5V = 1A  
Product Grade: Qualified



## **7** Warranty Terms

Dear customers, thank you for purchasing this product, please read the below warranty terms carefully before using:

### **12-month Warranty & Lifetime Customer Support**

Only apply to eligible purchases made directly from the Pet Marvel authorized distributors. Warranty coverage applies to the original owner and the original product only. And is not transferable.

The following conditions are not covered by the warranty:

- Any malfunction or defect caused by improper use of environment or conditions;
- Any fault or defect caused by improper installation, misuse, unauthorized maintenance, force majeure events, or other external reasons;
- Any fault or defect caused by the use of non-original fittings or accessories;
- The product has exceeded the warranty period;
- Other failures or damages caused by none of the product design, technology, manufacturing process, or quality problems;
- Normal fading, wear and tear, or consumption during the use of the product;
- Not able to provide a valid purchase certificate.

**For warranty service and more information, please get in touch via  
Email: [service@petmarvel.com](mailto:service@petmarvel.com)**



Note: Pictures on this brochure are for reference only, and the product is subject to the real object.

---