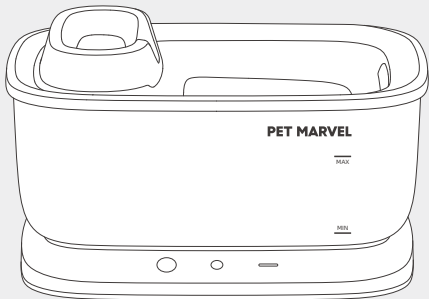




PET MARVEL®



Auto Pet Water Fountain [F2 Wireless]

TECHNOLOGY
CARES FOR PET
HEALTH

1 Information For Users

Dear Valued User, thank you for choosing the Pet Marvel Auto Pet Water Fountain [Gray Whale F2]. Our commitment is to enhance the quality of life for both you and your pet. Before using this product, please read the instructions provided in this manual. Your understanding and cooperation are greatly appreciated. We wish you a joyful life!

Warnings:

Please ensure the power cord is properly concealed or stored to prevent pets from chewing on it, which could pose electrical hazards.

Do not attempt to disassemble, modify, or repair the equipment on your own. Such actions will result in the forfeiture of all warranty and after-sales service rights.

Use this device indoors. Do not expose the product to direct sunlight.

Note:

- Prior to use, rinse the filter with clean water and soak it for two minutes to remove any activated carbon residue generated during transportation. Do not use excessively hot water.
- For optimal water filtration, we recommend replacing the filter and water pump sponge every 4 weeks. Clean the water storage tank every three days, and perform regular checks and cleaning of the water pump and sponge.
- Do not exceed the MAX line when filling with water.

2 Product Information

Water Outlet Tray

Stainless Steel Drinking Tray

Filter Compartment

Water Outlet Pipe

Wireless Water Pump

Gently Press Button

Press and hold for 3 seconds: Power On/Off
Double-click: Switch Water Dispensing Modes
(When Connected to Power Source Only)

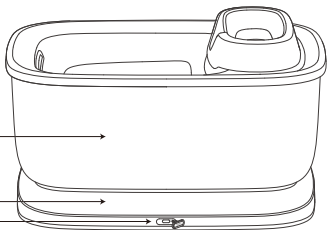
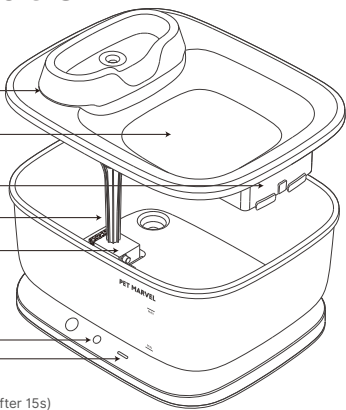
Indicators

Solid Blue: Sensing Mode, Water Flowing
Solid White: Continuous Mode, Water Flowing (Turns off after 15s)
Double White Flash: Mode Switch Successful
Solid Orange: Insufficient Water
Solid Red: Low Battery
Breathing White Flash: Charging in Progress

Water Tank

Base

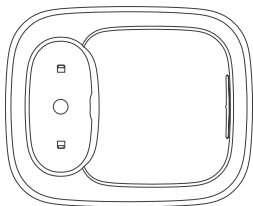
Charging Port



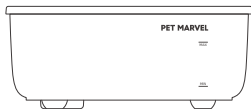
3 Packing List

Notice:

After opening the product packaging, please ensure the integrity of the product and compare with the illustration below to confirm the completeness of accessories. Due to product updates and iterations, some accessories may be adjusted; please refer to the actual product for accuracy.



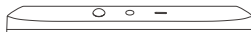
Stainless Steel Drinking Tray*1



Water Tank*1



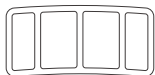
Wireless Water Pump*1



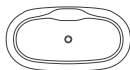
Base*1



Power Cord*1



Filter*1



Water Outlet Tray*1



Product Manual*1



Water Outlet Pipe*1



Cleaning Brush*1

4 Instruction

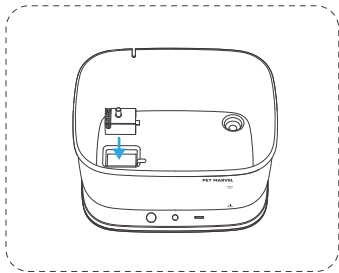
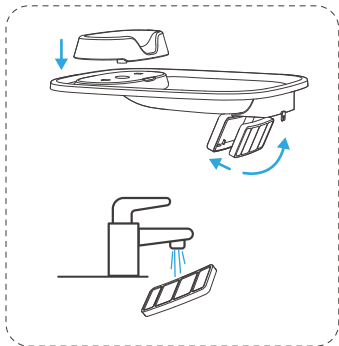
Installation:

1. Follow the diagram to install the water outlet tray and filter cartridge, completing the water tray assembly.

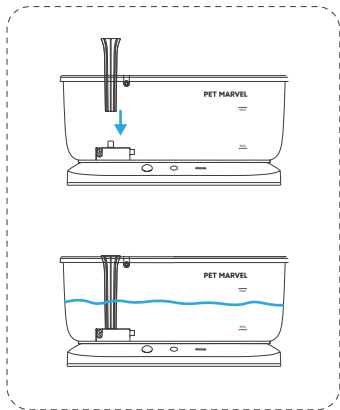
(1) Prior to use, rinse the filter with clean water and soak it for two minutes to remove any activated carbon residue generated during transportation.

(2) For optimal water filtration, we recommend replacing the filter every 4 weeks.

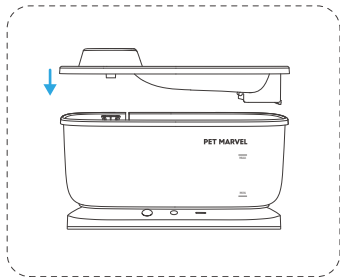
2. Place the wireless water pump in the position shown in the diagram.



3. Following the diagram, connect the water outlet pipe to the water pump, then pour in clean drinking water (Note: Do not exceed the MAX line for water level).



4. Finally, install the water tray assembly to finalize the setup, and the product will be ready for use.



Power On/Off

Press and hold the circular button for 3 seconds to power on/off.

Usage

After turning on, the water fountain will immediately dispense water once, followed by a cleaning cycle every 2 hours.

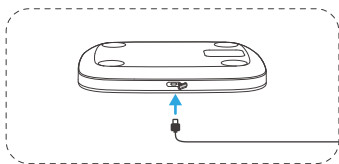
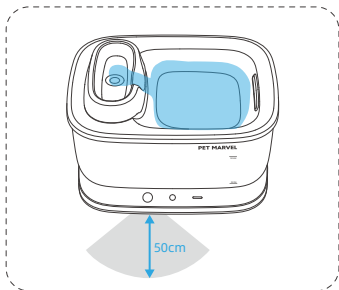
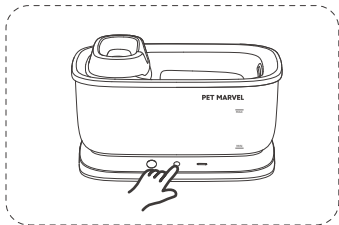
(1) Sensing Mode: When a living being is detected near the front of the water fountain, water will be dispensed immediately. (Blue light will be lit.)

(2) When Connected to Charging Cable, Double-tap the circular button to switch to Continuous Mode: Water will continuously flow for 24 hours. (White light will be lit, and turn off after 15 seconds.)

(3) When the indicator turns orange, it indicates low water. Please add sufficient drinking water to the water storage tank. (If the water shortage is not resolved within 30 minutes, the water fountain will automatically shut down.)

Charging

When the indicator turns red, please connect the charging cable immediately to ensure normal operation. The indicator will have a breathing flash pattern while charging.

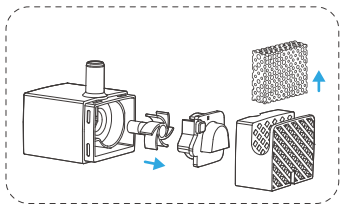


5 Maintenance

All components except the base can be washed with water. We recommend replacing the filter and water pump sponge every 4 weeks. Clean the water storage tank and water tray assembly every three days, and perform regular checks and cleaning of the water pump.

Water Pump Cleaning

(Before Cleaning the Water Pump, Please Disconnect Power) Follow the diagram to remove the pump cover, impeller cover, and impeller. Use the included brush to scrub them under running water.



6 Product Specification

Product Name: Auto Pet Water Fountain[F2 Wireless]
Product Model: NW04WLS
Main Material: ABS, SUS304
Product Capacity: 7L
Product Size: 373*303*206mm

N.W.: \approx 2.3kg
Input: 5V \approx 2A
Battery Capacity: 5000mAh
Product Grade: Qualified

7 Warranty Terms

Dear customers, thank you for purchasing this product, please read the below warranty terms carefully before using:

12-month Warranty & Lifetime Customer Support

Only apply to eligible purchases made directly from the Pet Marvel authorized distributors. Warranty coverage applies to the original owner and the original product only. And is not transferable.

The following conditions are not covered by the warranty:

- Any malfunction or defect caused by improper use of environment or conditions;
- Any fault or defect caused by improper installation, misuse, unauthorized maintenance, force majeure events, or other external reasons;
- Any fault or defect caused by the use of non-original fittings or accessories;
- The product has exceeded the warranty period;
- Other failures or damages caused by none of the product design, technology, manufacturing process, or quality problems;
- Normal fading, wear and tear, or consumption during the use of the product;
- Not able to provide a valid purchase certificate.

**For warranty service and more information, please get in touch via
Email: service@petmarvel.com**



Note: Pictures on this brochure are for reference only, and the product is subject to the real object.
